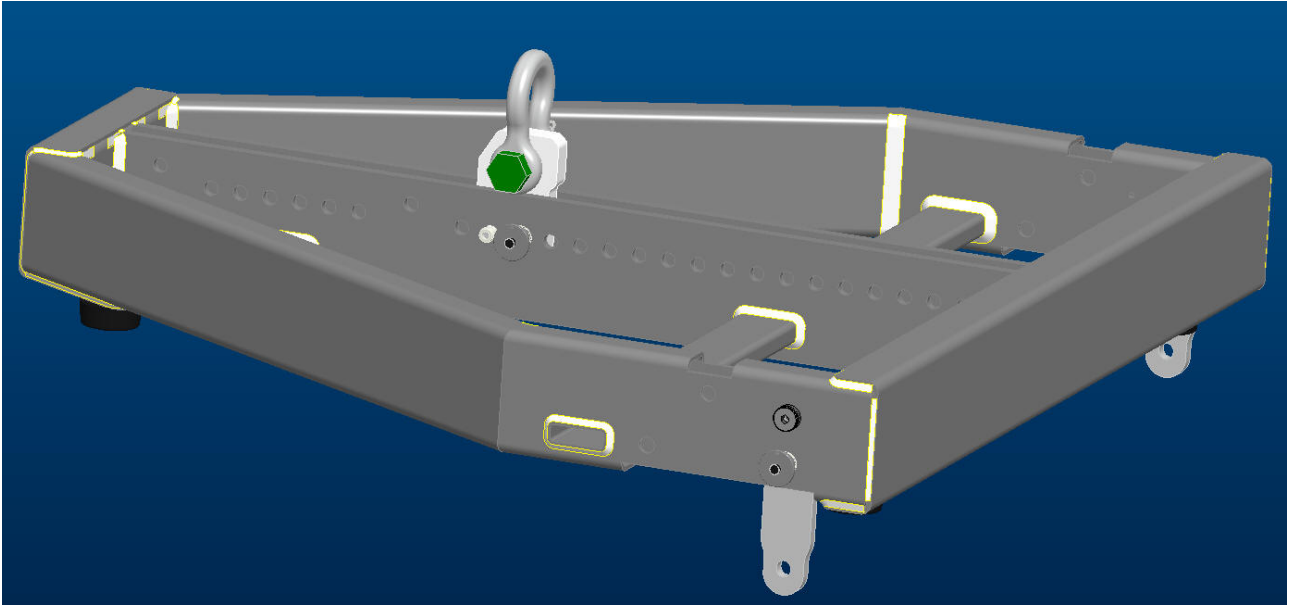
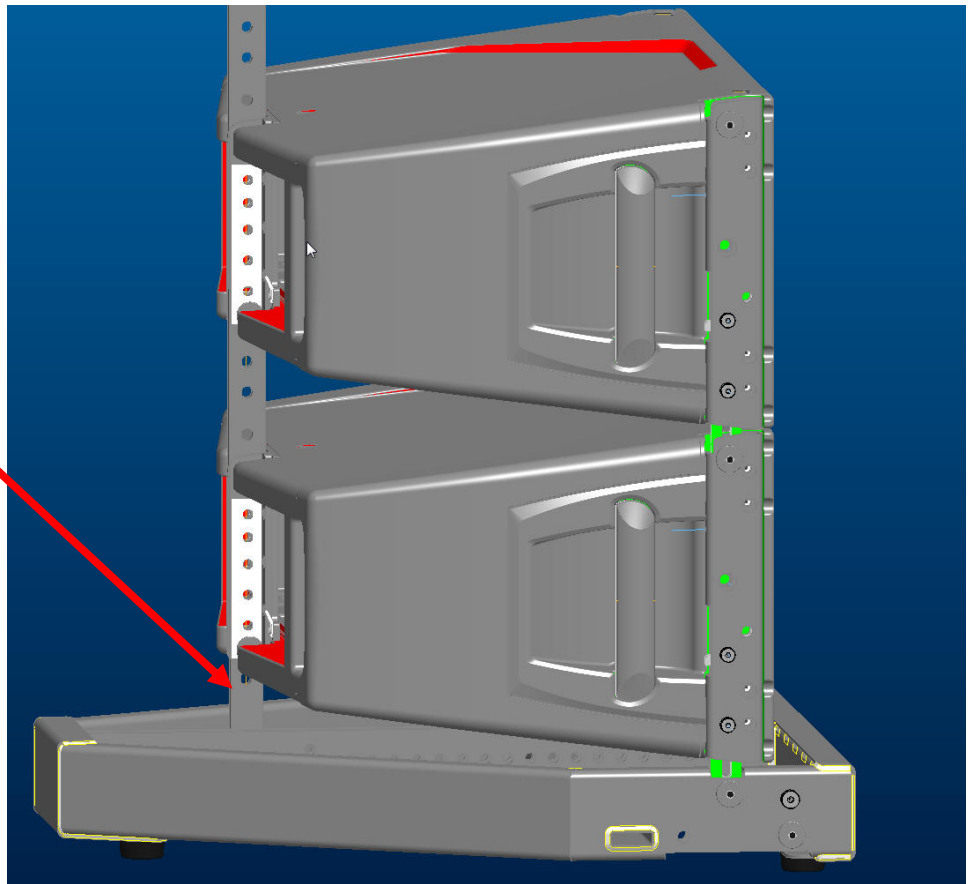
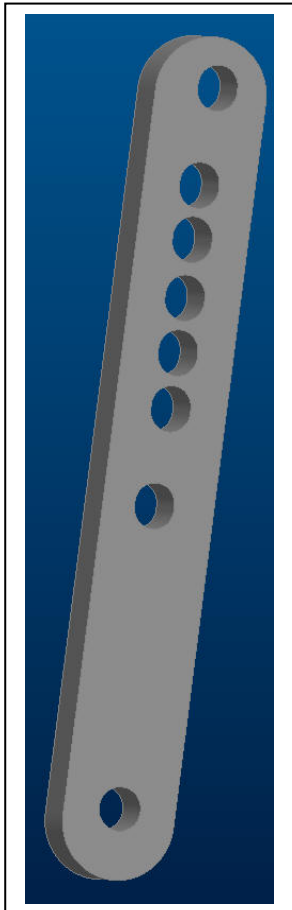


# HDL20-A ACCESSORY

13360218 FLYBAR HDL20-18



STACK BAR HDL20 SUPPLIED WITH THE FLY BAR



## SPARE PINS

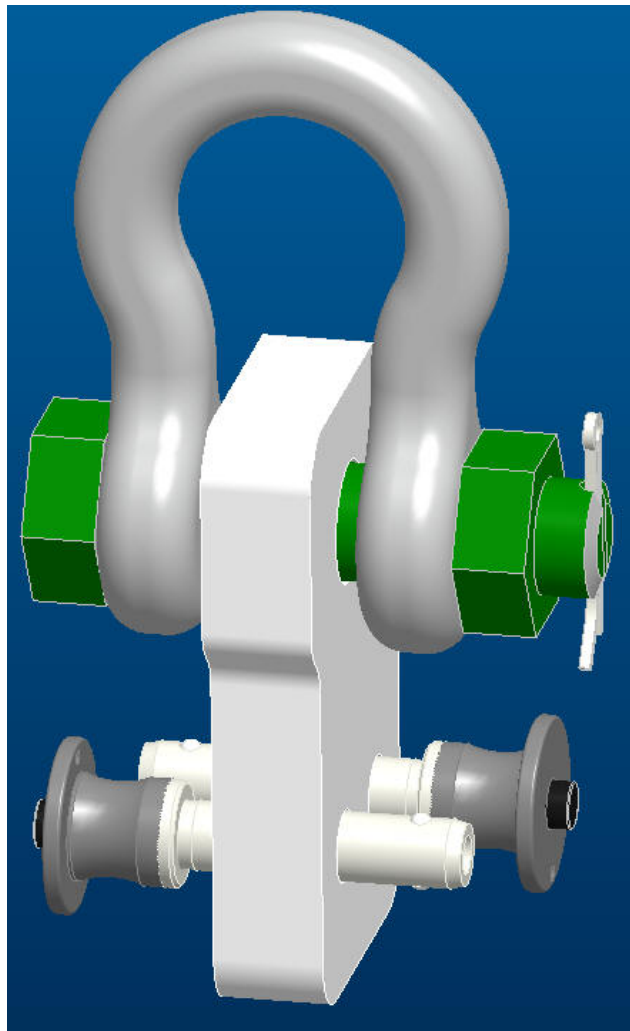


13360219 SPARE PINS FRONT 4xHDL

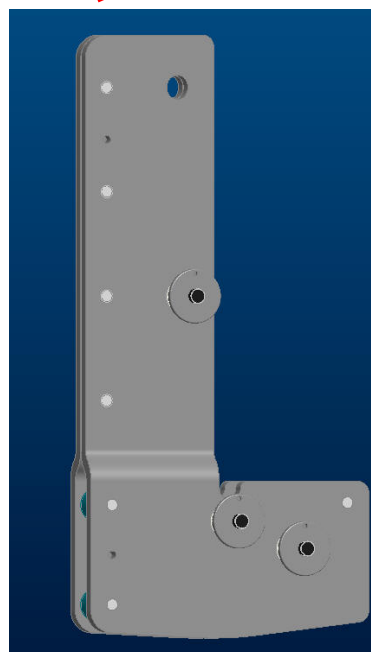
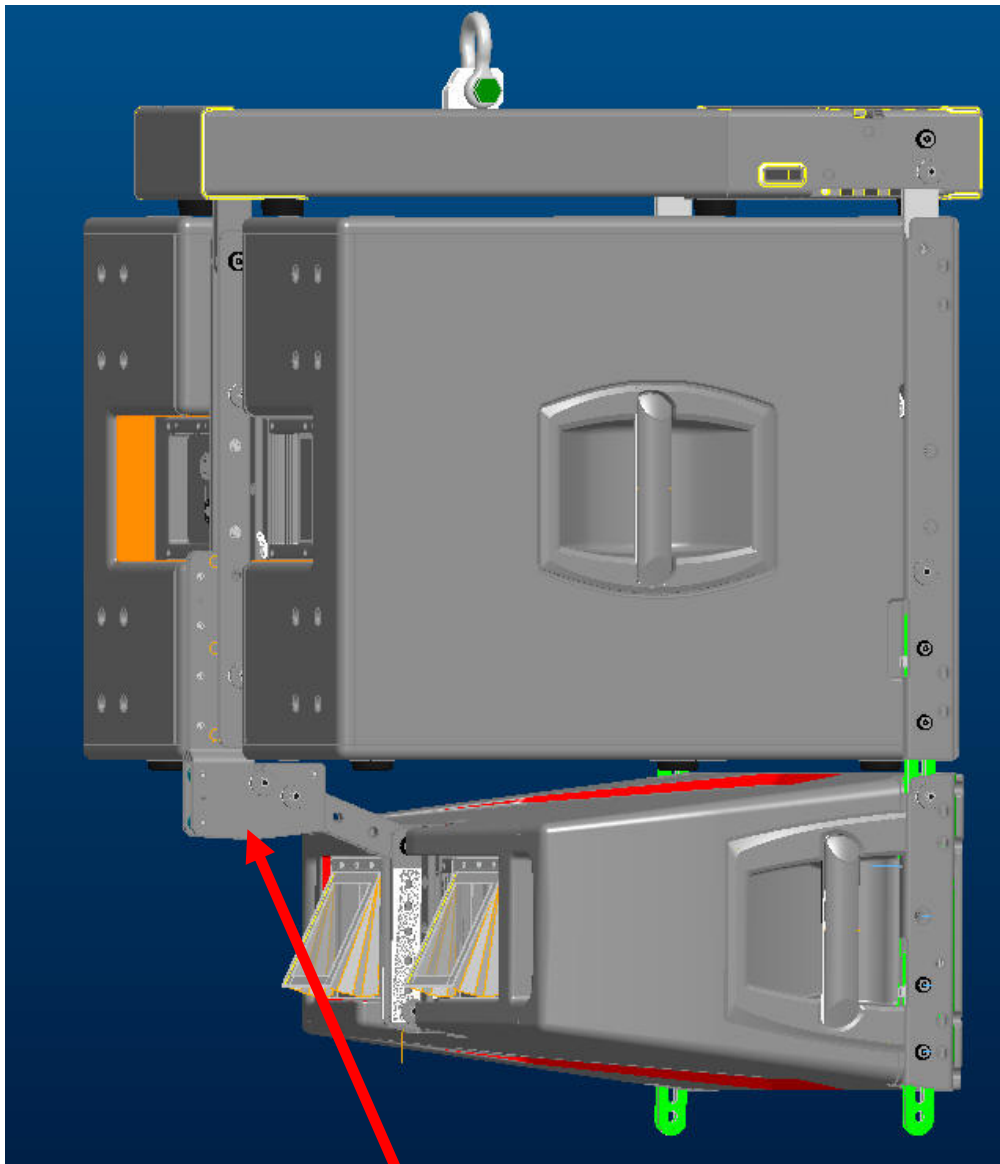
13360220 SPARE PINS REAR 4xHDL

13360221 SPARE PINS 4X FLY BAR HDL20- HDL18

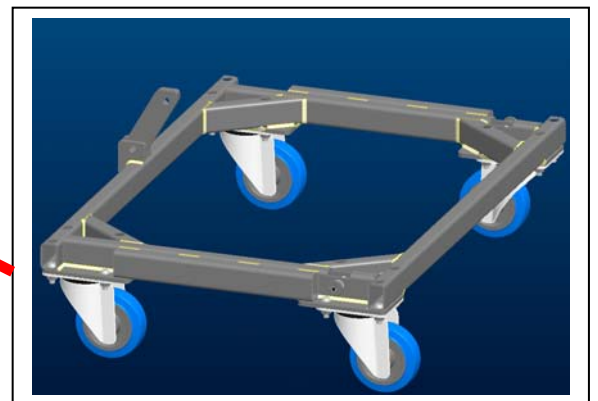
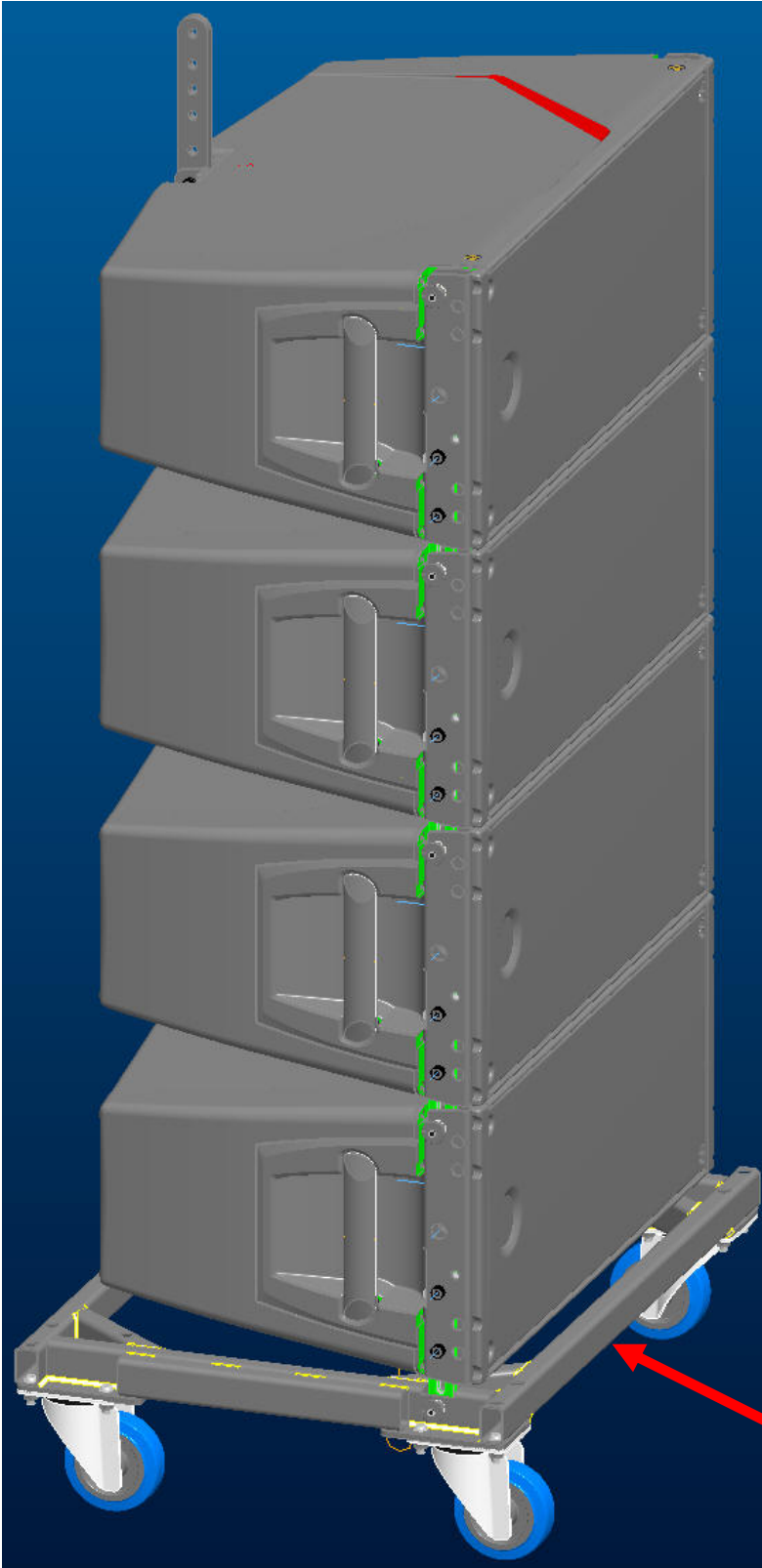
13360221 FLYBAR PICKUP HDL20-18



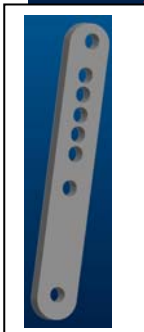
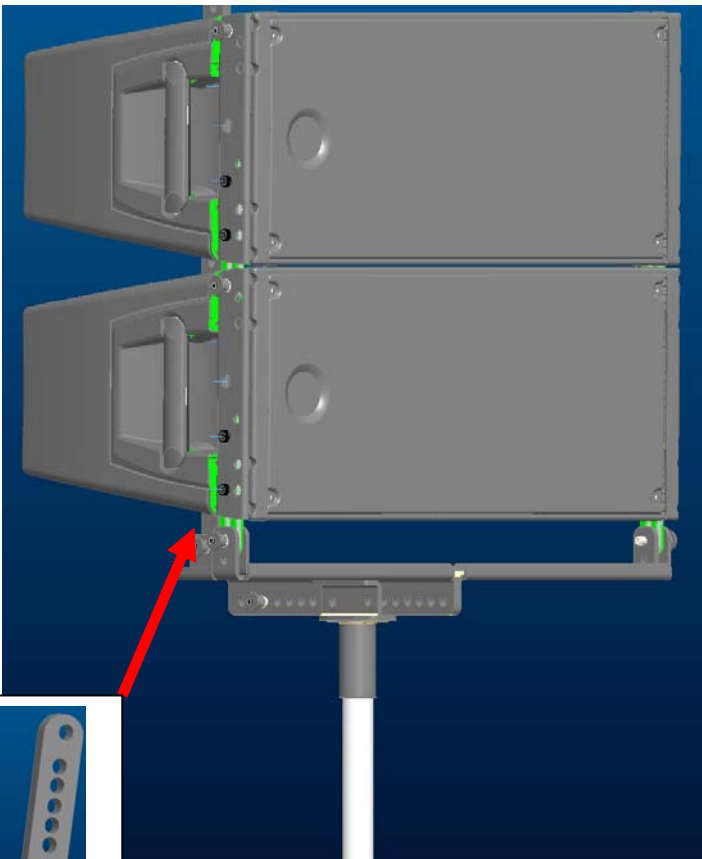
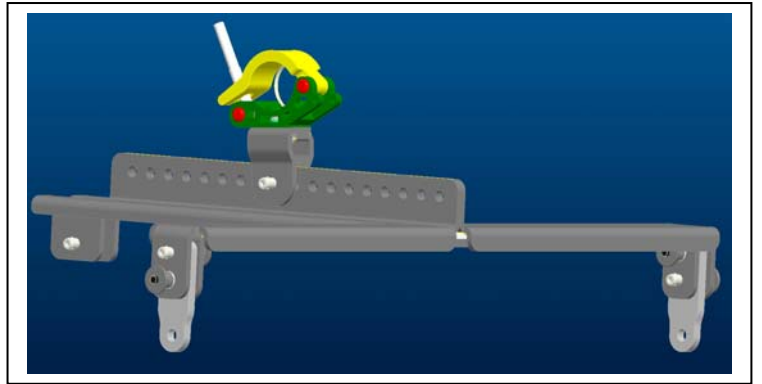
# 13360225 LINK BAR HDL18 TO HDL20



13360223 KART 4XHDL20

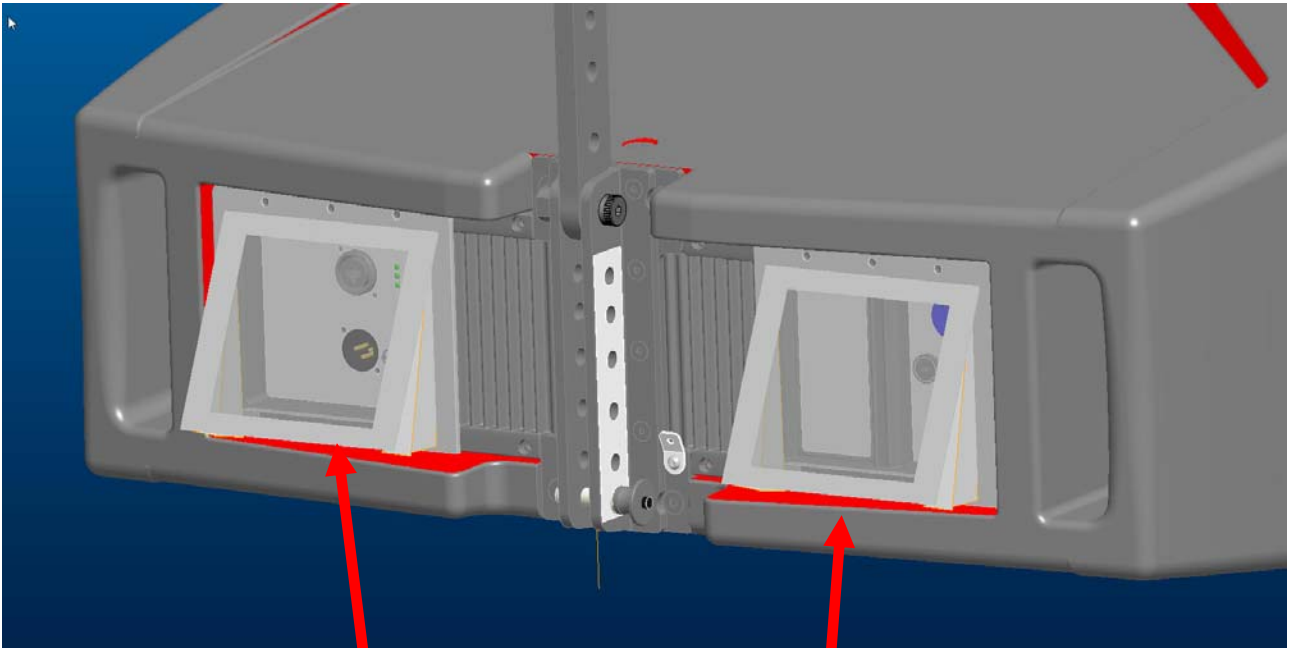


13360229 LIGHT BAR HDL20-A

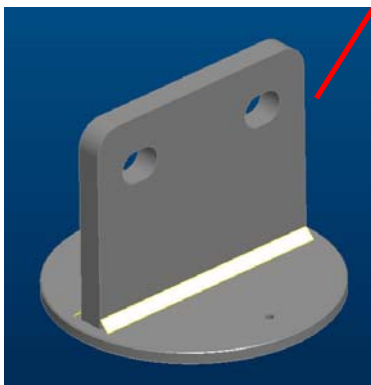
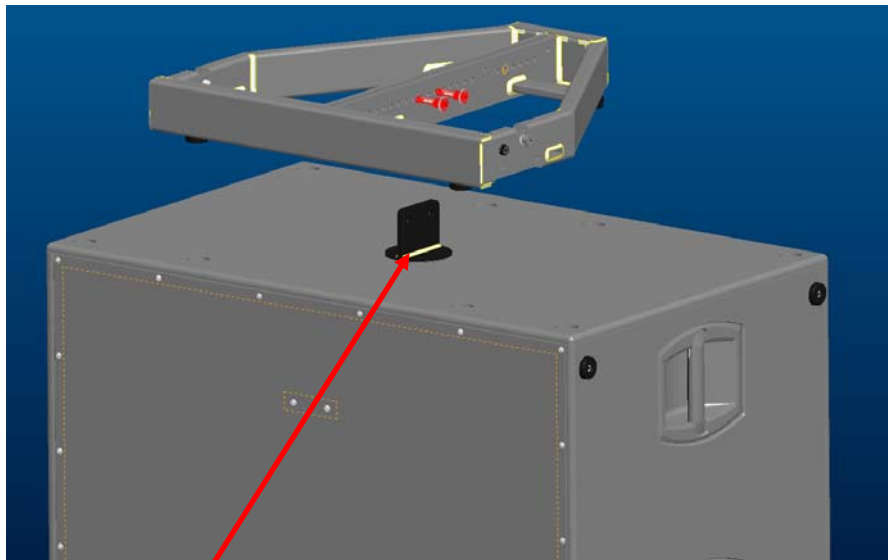


STK BAR HDL20 SUPPLIED WITH THE LIGHT BAR

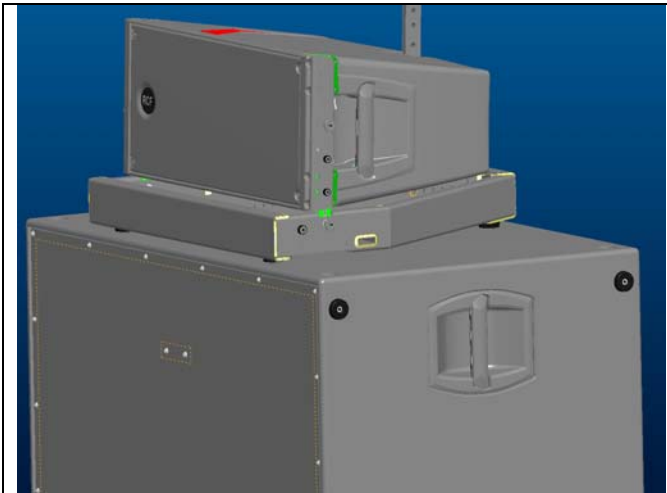
13360228 RAIN COVER HDL20-18



# 13360231 CONNECTION BRACKET SUB8006-AS



COMPLETE OF CONNECTION  
QUICK LOCK PINS



SUB 8006-AS  
HORIZONTAL POSITION



SUB8006-AS VERTICAL  
POSITION